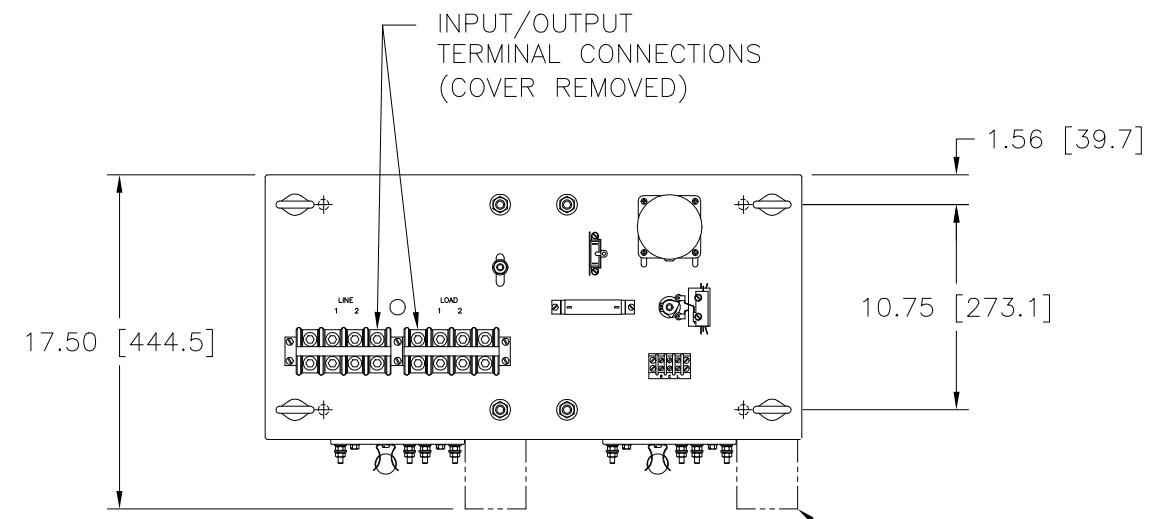
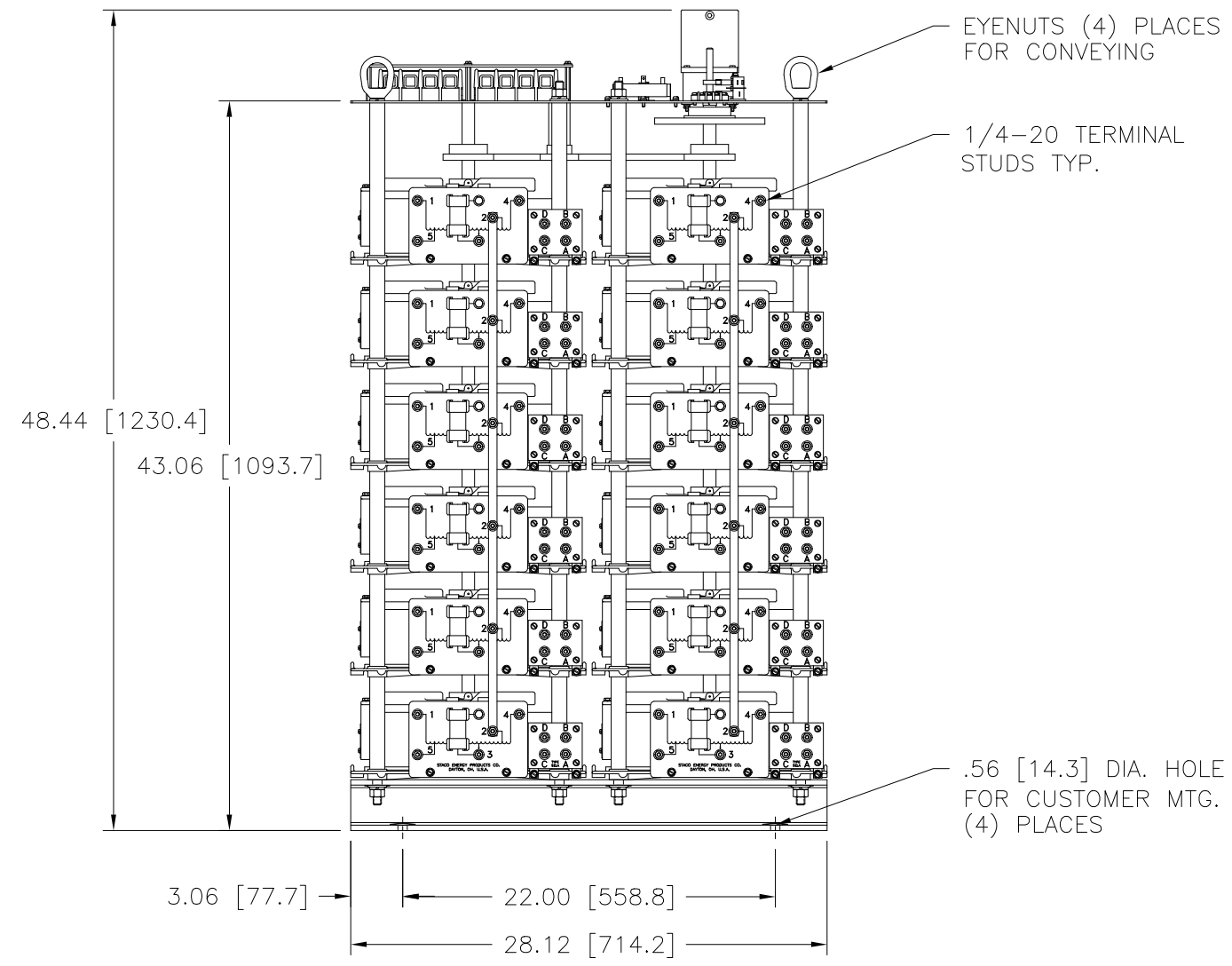


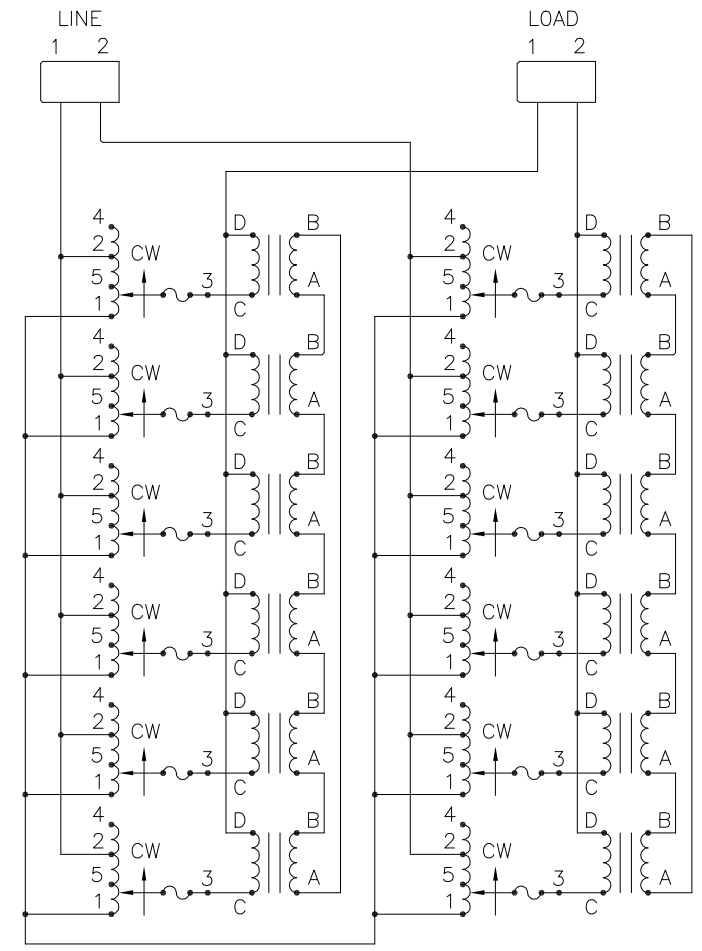
Go to VARIAC.com
 to purchase and for
 technical support.
 Made in the USA



PARALLELING
 CHOKES



.56 [14.3] DIA. HOLE
 FOR CUSTOMER MTG.
 (4) PLACES



SCHEMATIC

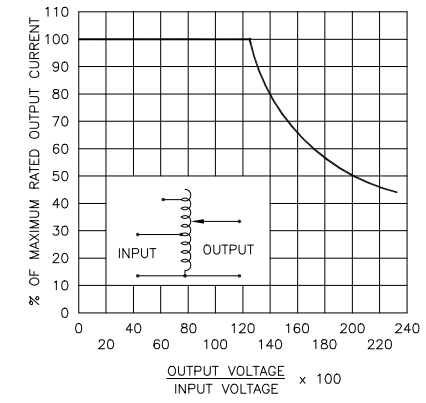
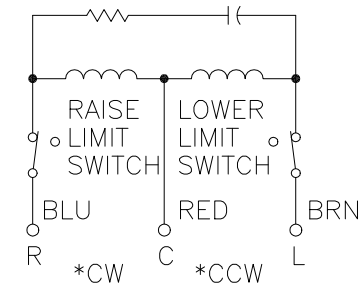


FIGURE A
 MAXIMUM OUTPUT CURRENT OF ANY
 DUAL INPUT VOLTAGE OR VOLTAGE DOUBLER
 UNIT OPERATED AT LOWER INPUT VOLTAGE.

* MAXIMUM OUTPUT CURRENT IN OUTPUT VOLTAGE RANGE FROM 0 TO 25%
 ABOVE LINE VOLTAGE. AT HIGHER OUTPUT VOLTAGES, OUTPUT
 CURRENT MUST BE REDUCED ACCORDING TO RATING CURVE, FIGURE A.

++ MAXIMUM KVA AT MAXIMUM OUTPUT AND CORRESPONDING DE-RATED
 CURRENT. MAXIMUM KVA AT LOWER OUTPUT VOLTAGES MAY BE CALCULATED
 FROM RATING CURVE, FIGURE A.

V.D. = VOLTAGE DOUBLER.



MOTOR CIRCUIT
 120V, 50/60 HZ
 * ROTATION AS VIEWED
 FROM TOP END
 MOTOR SPEED: SEE CHART

WIRING	INPUT		OUTPUT			SHAFT ROTATION TO INCREASE VOLTAGE	TERMINAL CONNECTIONS	
	VOLTS	HERTZ	VOLTS	CONSTANT CURRENT LOAD			FOR INCREASING VOLTAGE AS VIEWED FROM ROTOR END	
				MAX. AMPS	MAX. KVA		INPUT	OUTPUT
SINGLE PHASE SERIES PARALLEL	480	50/60	0-480	168	80.6	CW	4-4	D-D
			0-560	168	94.1	CW	2-2	D-D
	240	50/60	0-560	168-72 V.D.	40.3 ++	CW	5-5	D-D

SPEED (SECONDS)	MODEL NUMBER
30	30M5021-12PS
60	60M5021-12PS

UNLESS OTHERWISE SPECIFIED, TOLERANCE IS #
 DECIMALS HOLES ANGLES DRAFT
 .XX .0010-12 .002 .03 1° 1-1/2°

UNITS
 IN [mm]

TITLE: SPEC. CONTROL DRAWING
 AUTO. VOLTAGE REGULATOR
 TYPE: M5021-12PS

MATERIAL: ALL DIMENSIONS APPLY AFTER PLATING

DRAWN BY: TIM RAU DATE: 10/8/97 FIRST USED ON: DO NOT SCALE DWG. CUSTOMER APPROVAL: DATE:

CHECKER: DATE: WEIGHT APPROX. 940 LBS. CODE IDENT. NO. 83008 DWG. NO. 031-8018

ENGINEER: DATE: SCALE .2=1 SHEET 1 OF 1

STACO ENERGY PRODUCTS CO.
 A COMPONENTS CORPORATION OF AMERICA COMPANY
 DAYTON, OHIO U.S.A.