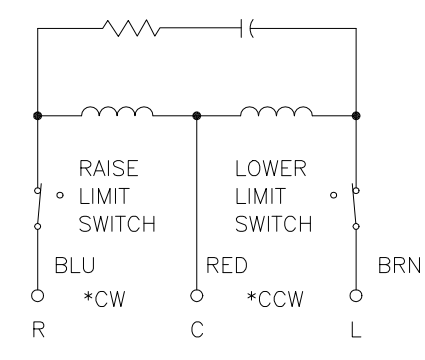
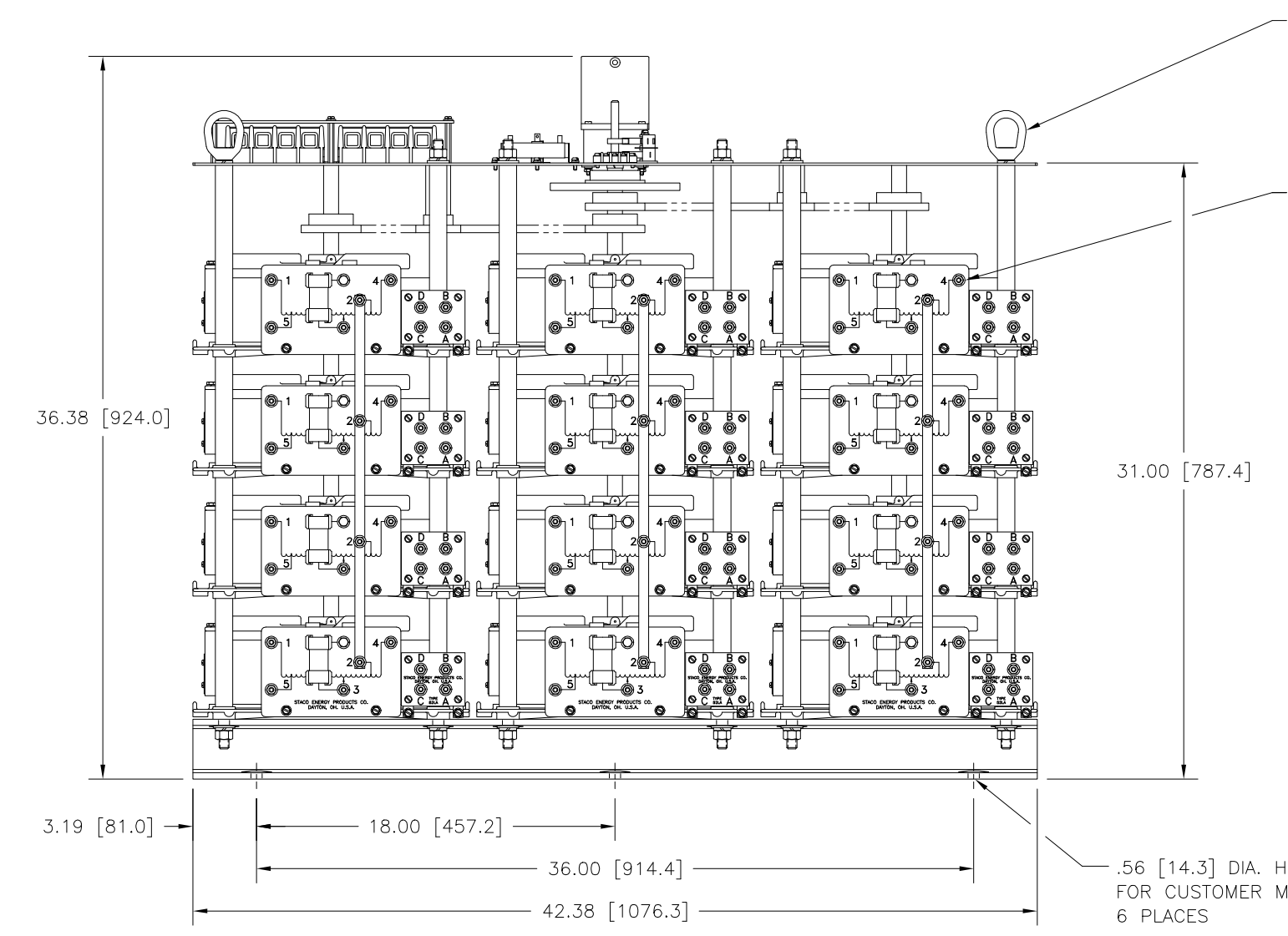
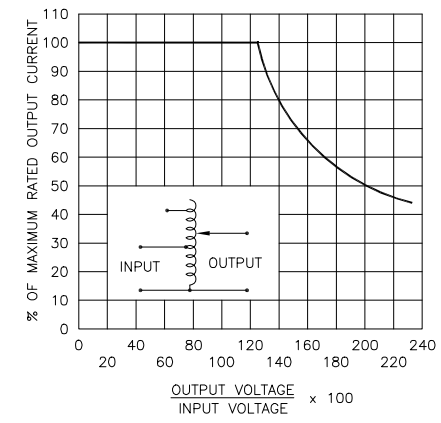


SCHMATIC



120V 50/60 HZ  
 \* ROTATION AS VIEWED FROM MOTOR END  
 MOTOR SPEED: SEE CHART

\* MAXIMUM OUTPUT CURRENT IN OUTPUT VOLTAGE RANGE FROM 0 TO 25 PERCENT ABOVE LINE VOLTAGE. AT HIGHER OUTPUT VOLTAGES, OUTPUT CURRENT MUST BE REDUCED ACCORDING TO RATING CURVE (SEE FIGURE A).

++ MAXIMUM KVA AT MAXIMUM OUTPUT AND CORRESPONDING DE-RATED CURRENT. MAXIMUM KVA AT LOWER OUTPUT VOLTAGES MAY BE CALCULATED FROM RATING CURVE, (SEE FIGURE A).

V.D. = VOLTAGE DOUBLER.

SPEED (SECONDS)	MODEL NUMBER
30	30M5021-12Y
60	60M5021-12Y

WIRING	INPUT		OUTPUT		SHAFT ROTATION TO INCREASE VOLTAGE	TERMINAL CONNECTIONS		
	VOLTS	HERTZ	VOLTS	CONSTANT CURRENT LOAD		FOR INCREASING VOLTAGE AS VIEWED FROM ROTOR END		
				MAX. AMPS		MAX. KVA	INPUT	OUTPUT
THREE PHASE WYE	480	50/60	0-480	112	93.1	CW	4-4-4	D-D-D
		60	0-560	112	108.6	CW	2-2-2	D-D-D
	240	60	0-560	112-48 V.D.	46.6 ++	CW	5-5-5	D-D-D

UNLESS OTHERWISE SPECIFIED, TOLERANCE IS # DECIMALS .XX .0000-.12 .0002-.03 .0004-.05 .0006-.07 .0008-.09 .0010-.11 .0012-.13 .0014-.15 .0016-.17 .0018-.19 .0020-.21 .0022-.23 .0024-.25 .0026-.27 .0028-.29 .0030-.31 .0032-.33 .0034-.35 .0036-.37 .0038-.39 .0040-.41 .0042-.43 .0044-.45 .0046-.47 .0048-.49 .0050-.51 .0052-.53 .0054-.55 .0056-.57 .0058-.59 .0060-.61 .0062-.63 .0064-.65 .0066-.67 .0068-.69 .0070-.71 .0072-.73 .0074-.75 .0076-.77 .0078-.79 .0080-.81 .0082-.83 .0084-.85 .0086-.87 .0088-.89 .0090-.91 .0092-.93 .0094-.95 .0096-.97 .0098-.99 .0100-1.00

UNITS IN [mm]

ALL DIMENSIONS APPLY AFTER PLATING

TITLE: SPEC. CONTROL DRAWING VARIABLE TRANSFORMER TYPE: M5021-12Y

STACO ENERGY PRODUCTS CO. A COMPONENTS CORPORATION OF AMERICA COMPANY DAYTON, OHIO U.S.A.

DRAWN BY: TIM RAU DATE: 4/14/97 FIRST USED ON: DO NOT SCALE DWG. CUSTOMER APPROVAL: DATE:

CHECKER: DATE: WEIGHT APPROX. CODE IDENT. NO. 83008 DWG. NO. 031-8510

ENGINEER: DATE: SCALE: .25=1 SHEET 1 OF 1