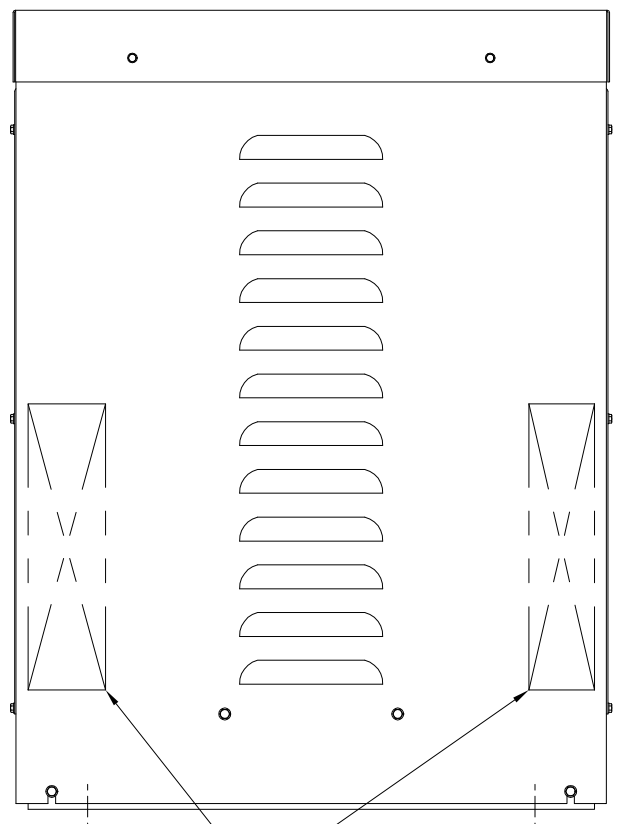
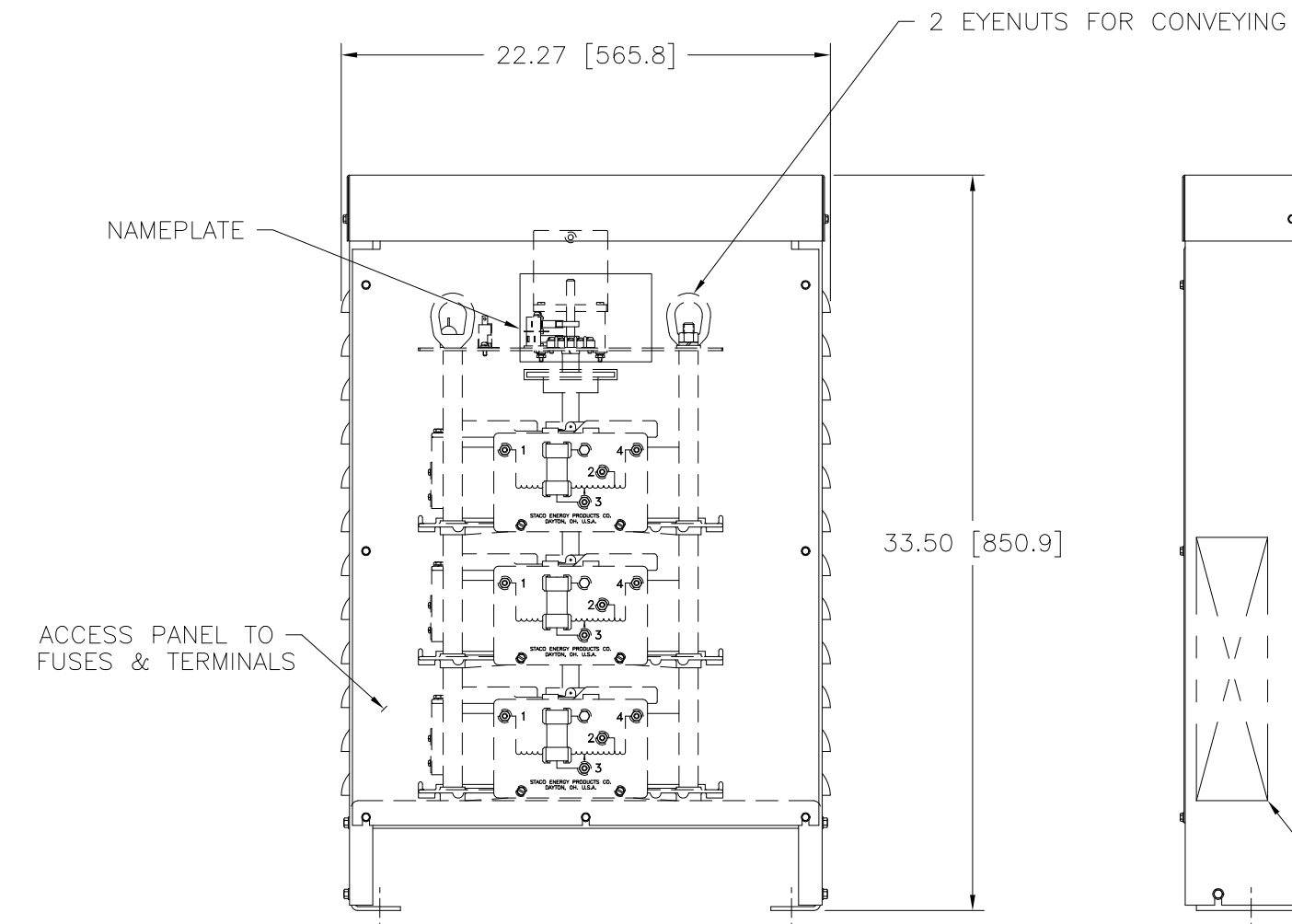


MOTOR CIRCUIT
 120V, 50/60 HZ
 * ROTATION AS VIEWED FROM TOP END
 MOTOR SPEEDS: 5, 15, 30, 60 SEC.

SCHEMATIC



RECOMMENDED AREAS FOR CONDUIT ENTRY

SPEED (SECONDS)	MODEL NUMBER
5	5M6011E-3Y
15	15M6011E-3Y
30	30M6011E-3Y
60	60M6011E-3Y

WIRING	INPUT		OUTPUT			SHAFT ROTATION FOR VOLTAGE INCREASE	TERMINAL CONNECTIONS FOR INCREASING VOLTAGE AS VIEWED FROM TOP	
	VOLTS	HERTZ	VOLTS	CONSTANT CURRENT LOAD			INPUT	OUTPUT
				MAX. AMPS	MAX. KVA			
THREE PHASE WYE	240	60	0-240	60	24.9	CW	4-4-4	3-3-3
			0-280	60	29.1	CW	2-2-2	3-3-3

UNLESS OTHERWISE SPECIFIED, TOLERANCE IS # DECIMALS .XX .XXX .005
 HOLES .12 .0008 .03
 ANGLES 1°
 DRAFT 1-1/2°
 UNITS IN [mm]

TITLE: SPECIFICATION CONTROL DRAWING
 MOTORIZED VARIABLE TRANSFORMER
 5, 15, 30, & 60M6011E-3Y

MATERIAL: ALL DIMENSIONS APPLY AFTER PLATING

DO NOT SCALE DWG.

CUSTOMER APPROVAL DATE

DRAWN BY: TIM RAU DATE: 12/14/95 FIRST USED ON: M6020E-3Y DO NOT SCALE DWG.

CHECKER: DATE: WEIGHT APPROX.: M6020E-3Y CODE IDENT. NO. 83008 DWG. NO. 032-6872

ENGINEER: DATE: SCALE: .25=1 SHEET 1 OF 1 DWG. NO. 032-6872

STACO
 ENERGY PRODUCTS CO.
 DAYTON, OHIO U.S.A.