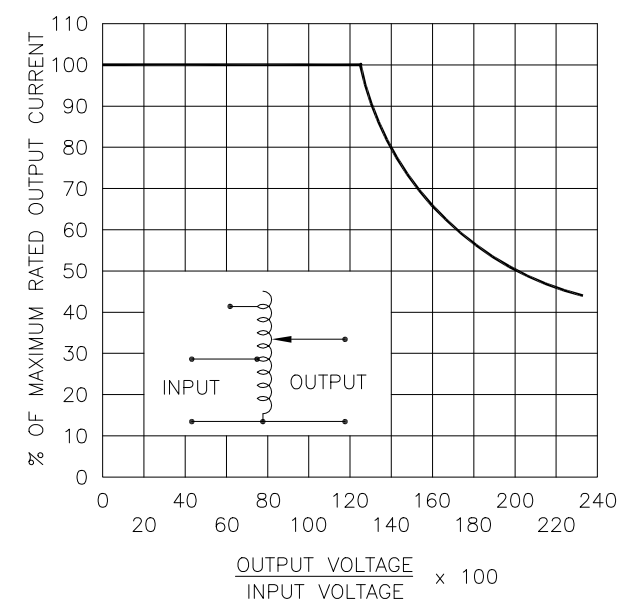
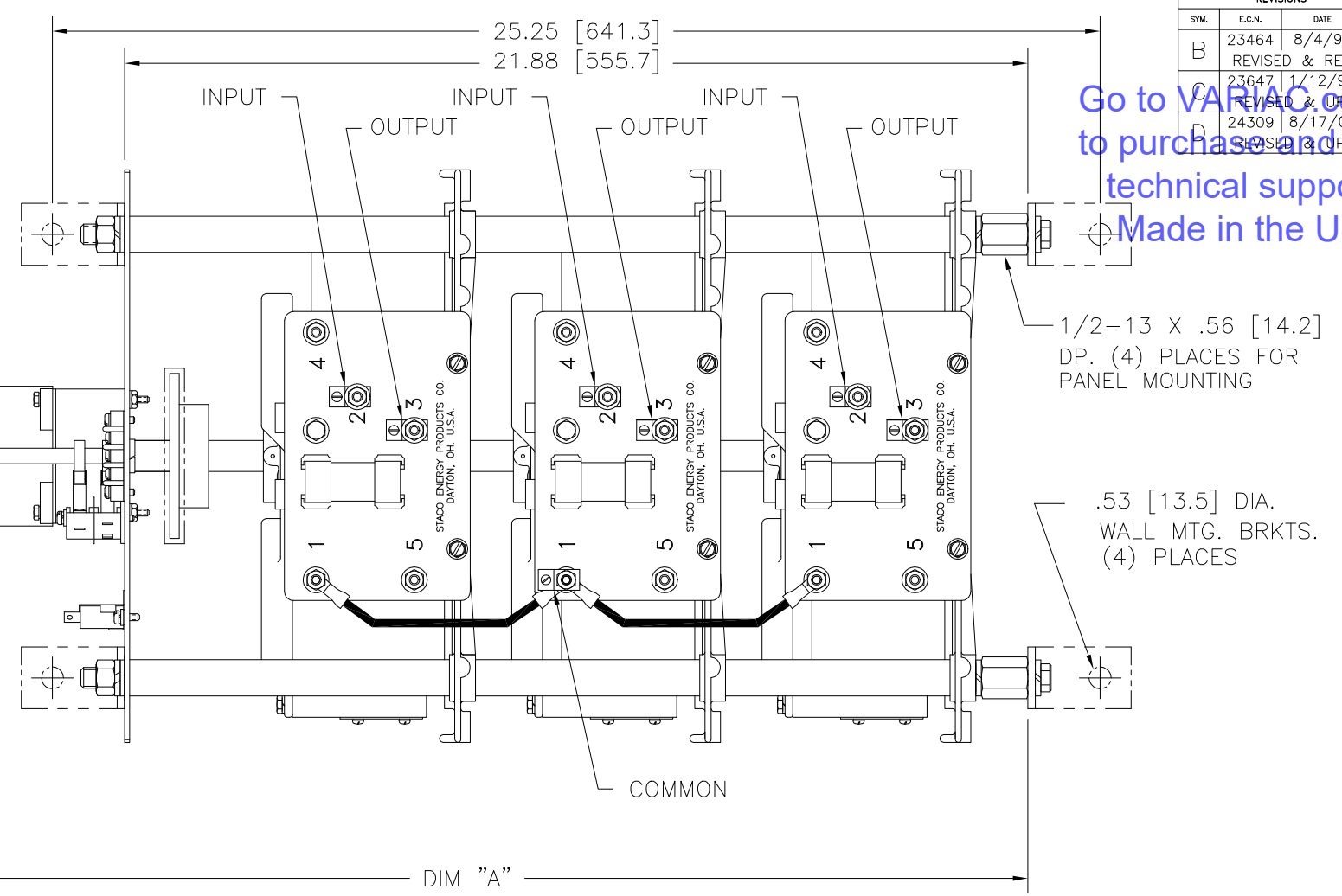
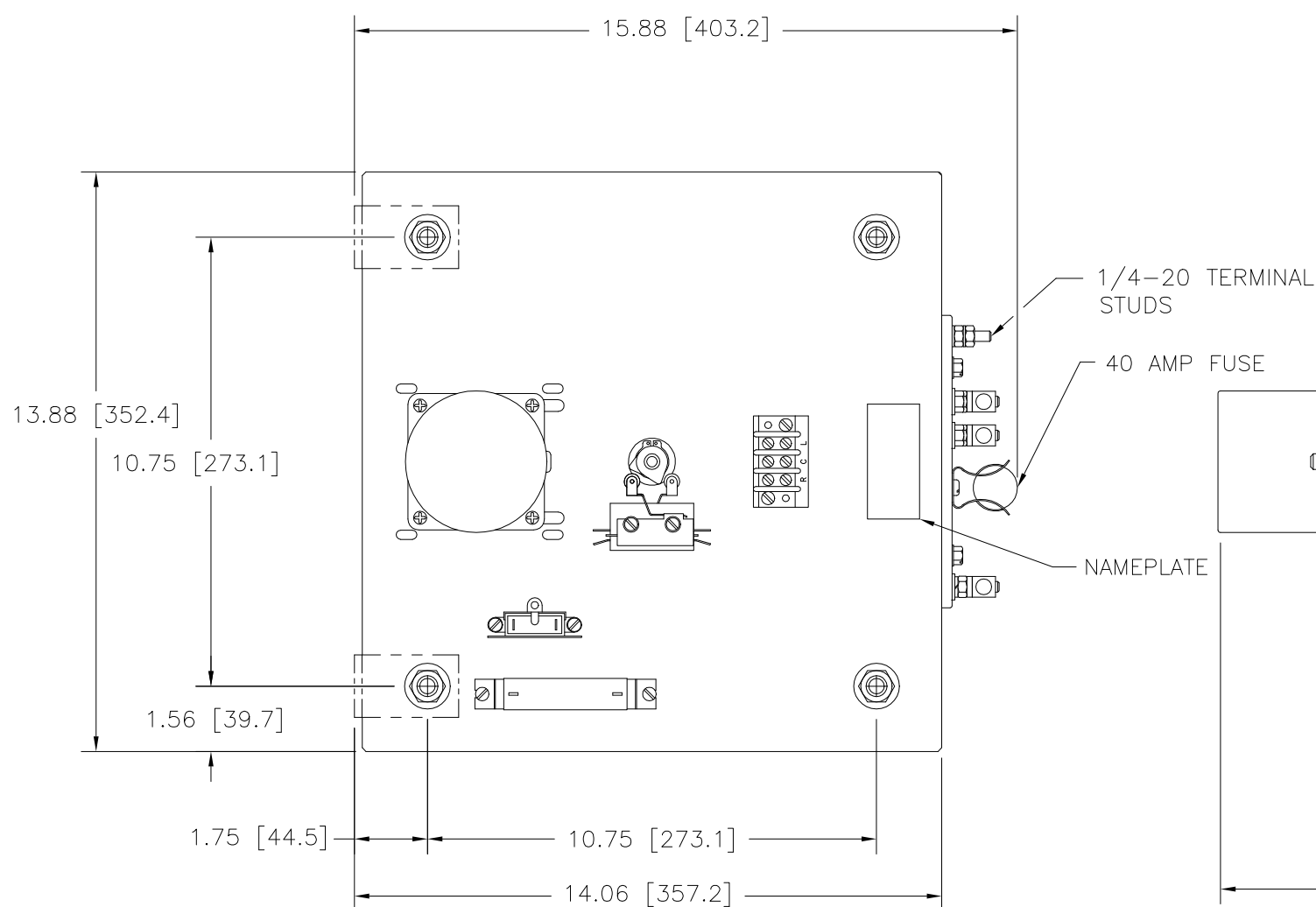
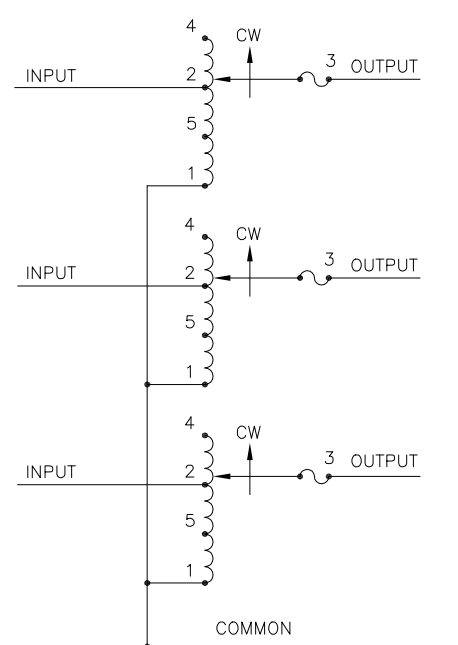


DWG. NO.	032-8275		
REVISIONS			
SYM.	E.C.N.	DATE	APVD.
B	23464	8/4/97	
C	23647	1/12/98	
D	24309	8/17/00	

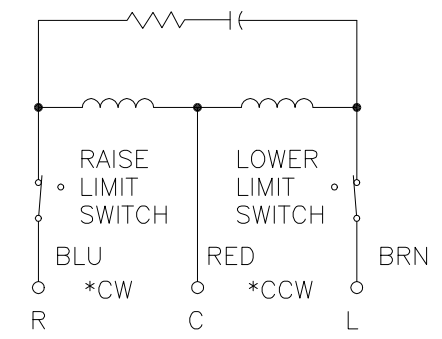
Go to [VAVAC.com](http://www.VAVAC.com)  
to purchase and for  
technical support.  
Made in the USA



**FIGURE A**  
MAXIMUM OUTPUT CURRENT OF ANY DUAL INPUT VOLTAGE OR VOLTAGE DOUBLER UNIT OPERATED AT LOWER INPUT VOLTAGE.



**SCHEMATIC**



**MOTOR CIRCUIT**  
120V 60 HZ  
\* ROTATION AS VIEWED FROM MOTOR END  
MOTOR SPEED: SEE CHART

\* MAXIMUM OUTPUT CURRENT IN OUTPUT VOLTAGE RANGE FROM 0 TO 25% ABOVE LINE VOLTAGE. AT HIGHER OUTPUT VOLTAGES, OUTPUT CURRENT MUST BE REDUCED ACCORDING TO RATING CURVE, FIGURE A.

V.D. = VOLTAGE DOUBLER.

++ MAXIMUM KVA AT MAXIMUM OUTPUT AND CORRESPONDING DE-RATING CURRENT. MAXIMUM KVA AT LOWER OUTPUT VOLTAGES MAY BE CALCULATED FROM RATING CURVE, FIGURE A.

SPECIFICATIONS								
WIRING	INPUT		OUTPUT			SHAFT ROTATION TO INCREASE VOLTAGE	TERMINAL CONNECTIONS FOR INCREASING VOLTAGE AS VIEWED FROM ROTOR END	
	VOLTS	HERTZ	VOLTS	MAX. AMPS	MAX. KVA		INPUT	JUMPER
THREE PHASE WYE	480	50/60	0-480	35	29.1	CW	4-4-4	3-3-3
		60	0-560	35	33.9	CW	2-2-2	3-3-3
	240	60	0-560	35-15 V.D.	14.5**	CW	5-5-5	3-3-3

SPEED (SECONDS)	MODEL NUMBER	DIM "A"
5	5M6020-3Y	25.75 [654.0]
15	15M6020-3Y	27.38 [692.0]
30	30M6020-3Y	27.38 [692.0]
60	60M6020-3Y	27.38 [692.0]

UNLESS OTHERWISE SPECIFIED, TOLERANCE IS # DECIMALS HOLES ANGLES DRAFT UNITS IN [mm]

XX .125 .03 1° 1-1/2°

MATERIAL: ALL DIMENSIONS APPLY AFTER PLATING

TITLE: SPEC. CONTROL DRAWING MOTORIZED VARIABLE XFMR. TYPE: M6020-3Y

STACO ENERGY PRODUCTS CO. A COMPONENTS CORPORATION OF AMERICA COMPANY DAYTON, OHIO U.S.A.

DRAWN BY	DATE	FIRST USED ON	DO NOT SCALE DWG.	CUSTOMER APPROVAL	DATE
TIM RAU	8/4/97				
CHECKER	DATE	WEIGHT APPROX.	CODE IDENT. NO. 83008	DWG. NO.	DWG. NO.
				032-8275	032-8275
ENGINEER	DATE	SCALE	SHEET 1 OF 1	D	