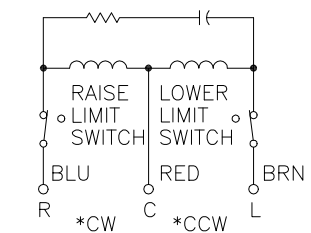
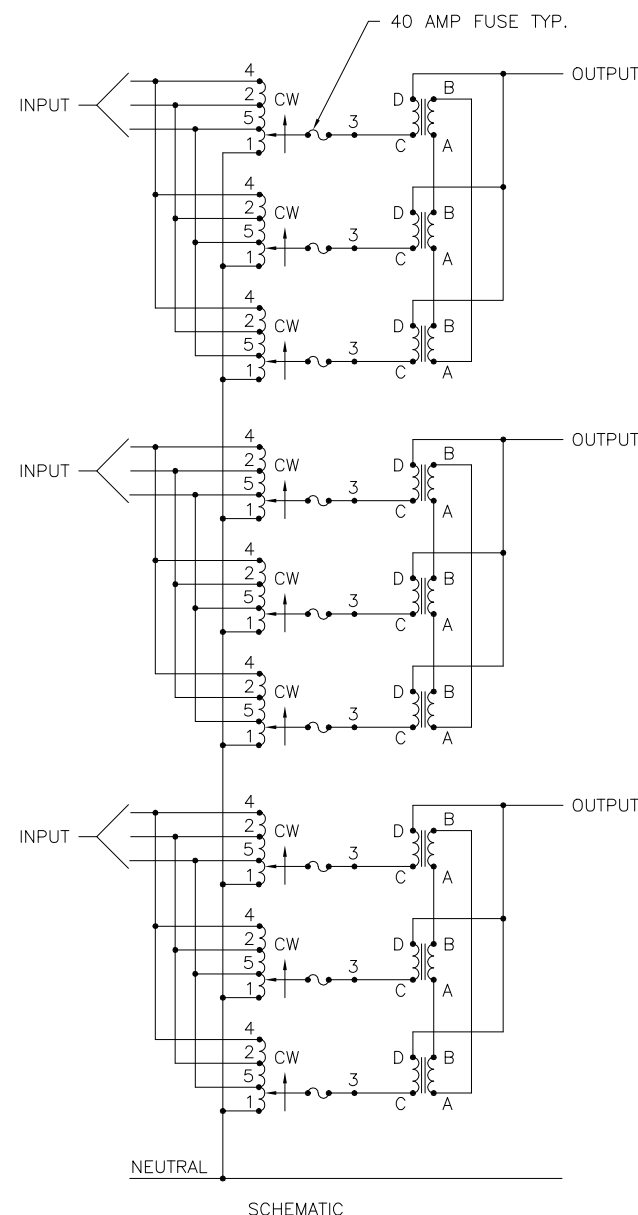


RECOMMENDED AREAS FOR CONDUIT ENTRY



MOTOR CIRCUIT  
 120V, 50/60 HZ  
 \* ROTATION AS VIEWED FROM TOP END  
 MOTOR SPEEDS: 30, 60 SEC.

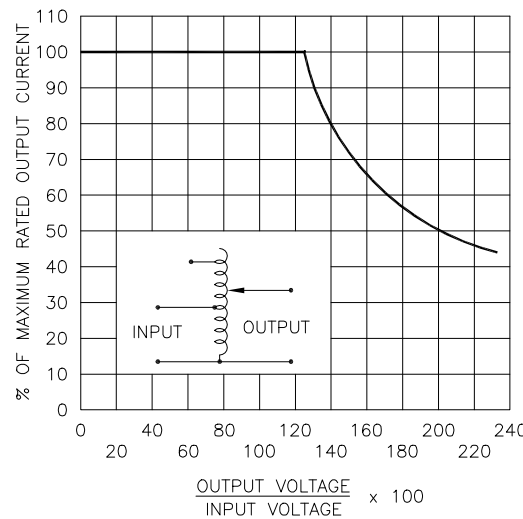


FIGURE A  
 MAXIMUM OUTPUT CURRENT OF ANY DUAL INPUT VOLTAGE OR VOLTAGE DOUBLER UNIT OPERATED AT LOWER INPUT VOLTAGE.

\* MAXIMUM OUTPUT CURRENT IN OUTPUT VOLTAGE RANGE FROM 0 TO 25 PERCENT ABOVE LINE VOLTAGE. AT HIGHER OUTPUT VOLTAGES, OUTPUT CURRENT MUST BE REDUCED ACCORDING TO RATING CURVE (SEE FIGURE A).

++ MAXIMUM KVA AT MAXIMUM OUTPUT AND CORRESPONDING DE-RATED CURRENT. MAXIMUM KVA AT LOWER OUTPUT VOLTAGES MAY BE CALCULATED FROM RATING CURVE, (SEE FIGURE A).

V.D. = VOLTAGE DOUBLER.

SPEED (SECONDS)	MODEL NUMBER
30	30M6020E-9Y
60	60M6020E-9Y

WIRING	INPUT		OUTPUT			SHAFT ROTATION FOR VOLTAGE INCREASE	TERMINAL CONNECTIONS FOR INCREASING VOLTAGE AS VIEWED FROM TOP	
	VOLTS	HERTZ	VOLTS	CONSTANT CURRENT LOAD			INPUT	OUTPUT
				MAX. AMPS	MAX. KVA			
THREE PHASE WYE	480	50/60	0-480	105	87.2	CW	4-4-4	D-D-D
		60	0-560	105	101.7	CW	2-2-2	D-D-D
	240	60	0-560	105-45 V.D.	43.6 ++	CW	5-5-5	D-D-D

UNLESS OTHERWISE SPECIFIED, TOLERANCE IS # DECIMALS .XX .XXX .005  
 HOLES .12 .0008 .03  
 ANGLES 1° 1-1/2°  
 DRAFT 1-1/2°  
 UNITS IN [mm]

TITLE: SPECIFICATION CONTROL DRAWING  
 MOTORIZED VARIABLE TRANSFORMER  
 30 & 60M6020E-9Y

MATERIAL: ALL DIMENSIONS APPLY AFTER PLATING

DO NOT SCALE DWG.  
 CODE IDENT. NO. 83008  
 DWG. NO. 032-8440

DRWN BY S.A. SMITH DATE 11/21/94 FIRST USED ON M6020E-9Y  
 CHECKER DATE WEIGHT APPROX. SCALE .125=1 SHEET 1 OF 1  
 ENGINEER DATE

Customer Approval: \_\_\_\_\_ DATE \_\_\_\_\_



The information and design disclosed herein was originated by and is the property of STACO ENERGY PRODUCTS CO., which reserves all patent, proprietary, design, manufacturing, reproduction, use and sale rights thereto, and to any article disclosed therein except to the extent rights are expressly granted to others. The foregoing does not apply to vendor proprietary parts.