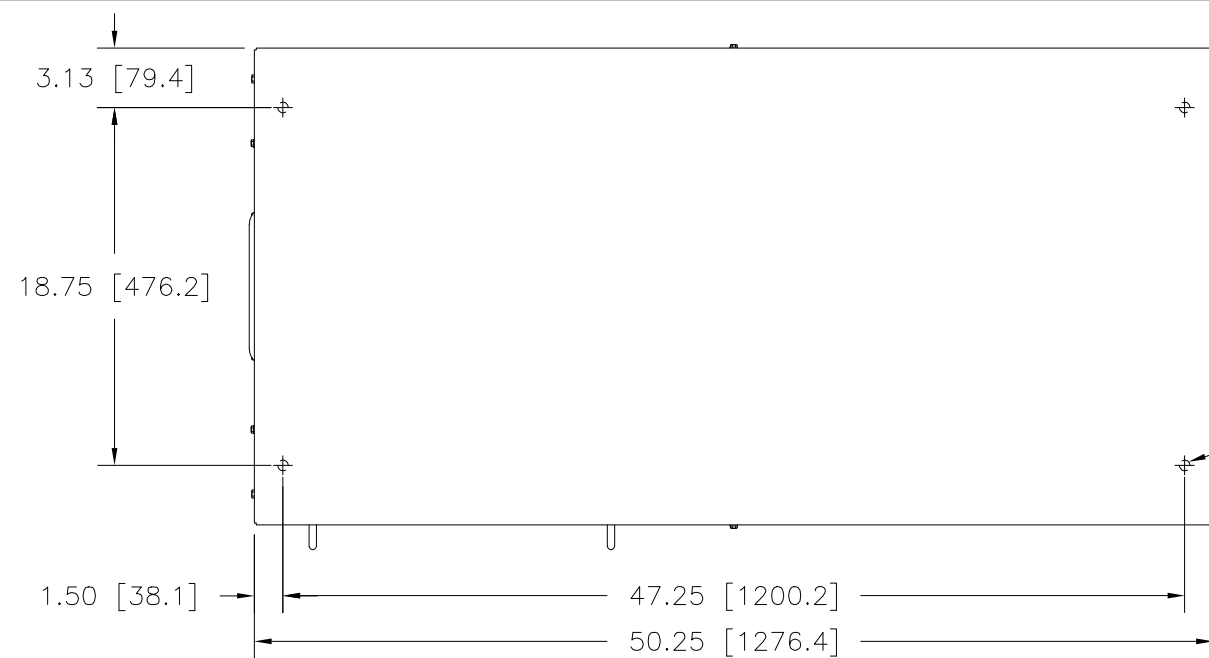
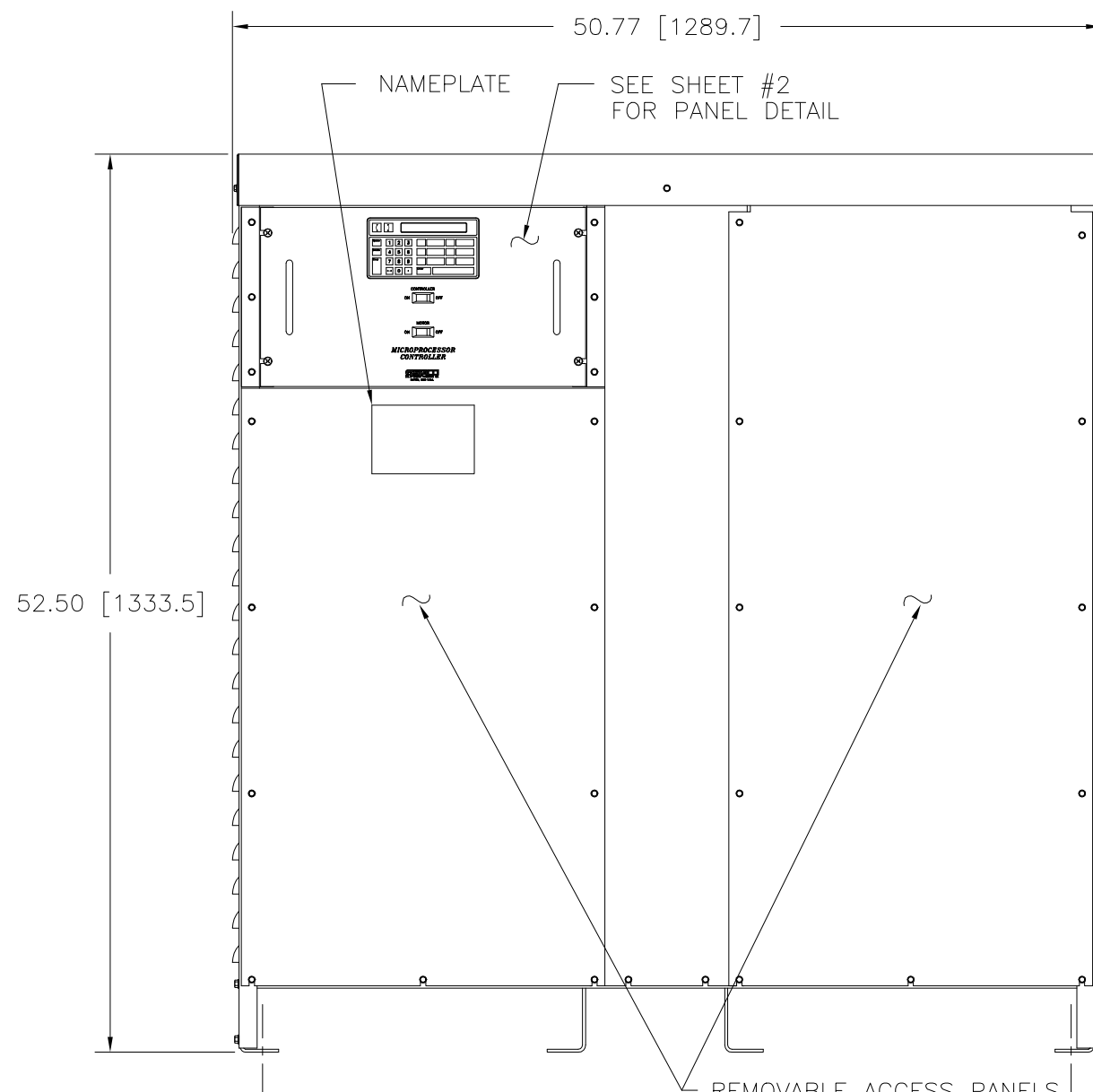


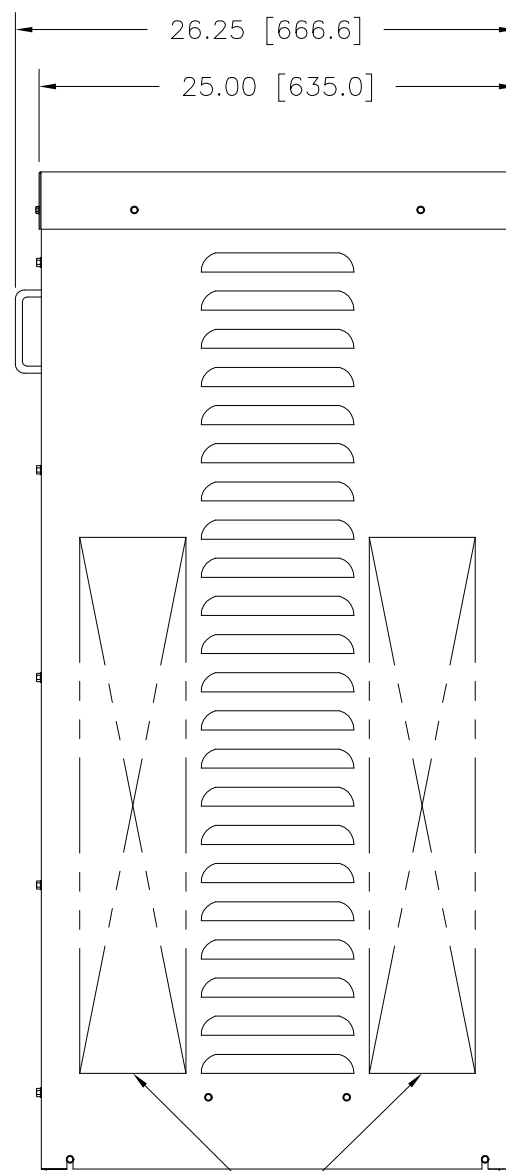
Go to [VARIAC.com](http://VARIAC.com)  
to purchase and for  
technical support.  
Made in the USA



.56 [14.3] DIA. HOLE  
4 PLACES ON BOTTOM  
FLANGES FOR CUSTOMER  
MOUNTING



REMOVABLE ACCESS PANELS  
FRONT & REAR



RECOMMENDED AREAS  
FOR CONDUIT ENTRY

EACH PHASE OF THE REGULATOR COMPRISES A MOTOR-DRIVEN VARIABLE AUTOTRANSFORMER, A BUCK-BOOST FIXED RATIO TRANSFORMER, AND A MANUAL RAISE/LOWER SWITCH. THE MICROPROCESSOR CONTROLLER AUTOMATICALLY POSITIONS EACH OF THE AUTOTRANSFORMERS TO HOLD THE OUTPUT VOLTAGE OF EACH PHASE CONSTANT. A RS-232 INTERFACE IS PROVIDED FOR REMOTE OPERATION AND MONITORING.

**SPECIFICATIONS:**

WAVEFORM DISTORTION	-----	ZERO
FREQUENCY RANGE	-----	57Hz TO 63Hz
OUTPUT REGULATION	-----	±1V
CONTROL BAND (USER SELECTABLE)	---	* ±0.5V, ±1.0V, ±2.0V, ±4.0V
CORRECTION RATE	-----	24 VOLTS/SECOND
INTERNAL IMPEDANCE	-----	EXTREMELY LOW
PHASE SHIFT	-----	NEGLIGIBLE
EFFICIENCY	-----	APPROXIMATELY 99%
TEMPERATURE RANGE	-----	0°C (32°F) TO +50°C (122°F)
* FACTORY SET AT ±0.5V		

**CONTROLS:**

**MICROTERMINAL:** THE TERMINAL IS PROVIDED FOR LOCAL CONTROL OF THE UNIT WITH AN LCD DISPLAY FOR OUTPUT VOLTAGE READINGS. SEE THE MP USER'S HANDBOOK (FORM #003-1622) FOR DETAILED INFORMATION.

**CONTROLLER ON/OFF SWITCH:** THIS SWITCH TURNS OFF POWER TO THE MICROPROCESSOR CONTROLLER ONLY.

**MOTOR ON/OFF SWITCH:** THIS SWITCH TURNS OFF POWER FROM THE MICROPROCESSOR TO EACH OF THE AUTOTRANSFORMER MOTORS.

**RAISE/LOWER SWITCHES:** THESE SWITCHES ARE LOCATED INTERNALLY AND ARE ACCESSIBLE FROM THE FRONT VIA THE REMOVABLE ACCESS PANEL. THE SWITCHES ALLOW FOR EACH PHASE OF THE REGULATOR TO BE MANUALLY CONTROLLED INDIVIDUALLY.

\*\* AT NOMINAL OUTPUT VOLTAGE INPUT VOLTAGE RANGE  
SHIFTS PROPORTIONALLY WITH OUTPUT VOLTAGE SETTINGS.

THREE PHASE (INDIVIDUAL LINE CONTROL) 60 HZ			
OUTPUT VOLTAGE (ADJUSTMENT)	INPUT VOLTAGE RANGE **	MAXIMUM OUTPUT AMPERES	RATED OUTPUT (KVA)
480Y/277	408-528	150	125
UNLESS OTHERWISE SPECIFIED, TOLERANCE IS # DECIMALS .XX .XXX .XXX		UNITS IN [mm]	
Holes .12 .002		DRAFT 1° 1-1/2°	
MATERIAL:		ALL DIMENSIONS APPLY AFTER PLATING	
TITLE: SPEC. CONTROL DRAWING AUTO. VOLTAGE REGULATOR TYPE: MVR-48TCIY125			
DRAWN BY	DATE	FIRST USED ON	DO NOT SCALE DWG.
TIM RAU	7/26/99		
CHECKER	DATE	WEIGHT APPROX.	CODE IDENT. NO. 83008
ENGINEER	DATE	SCALE .2=1	DWG. NO. 095-3055
SHEET 1 OF 2			DWG. NO. 095-3055

