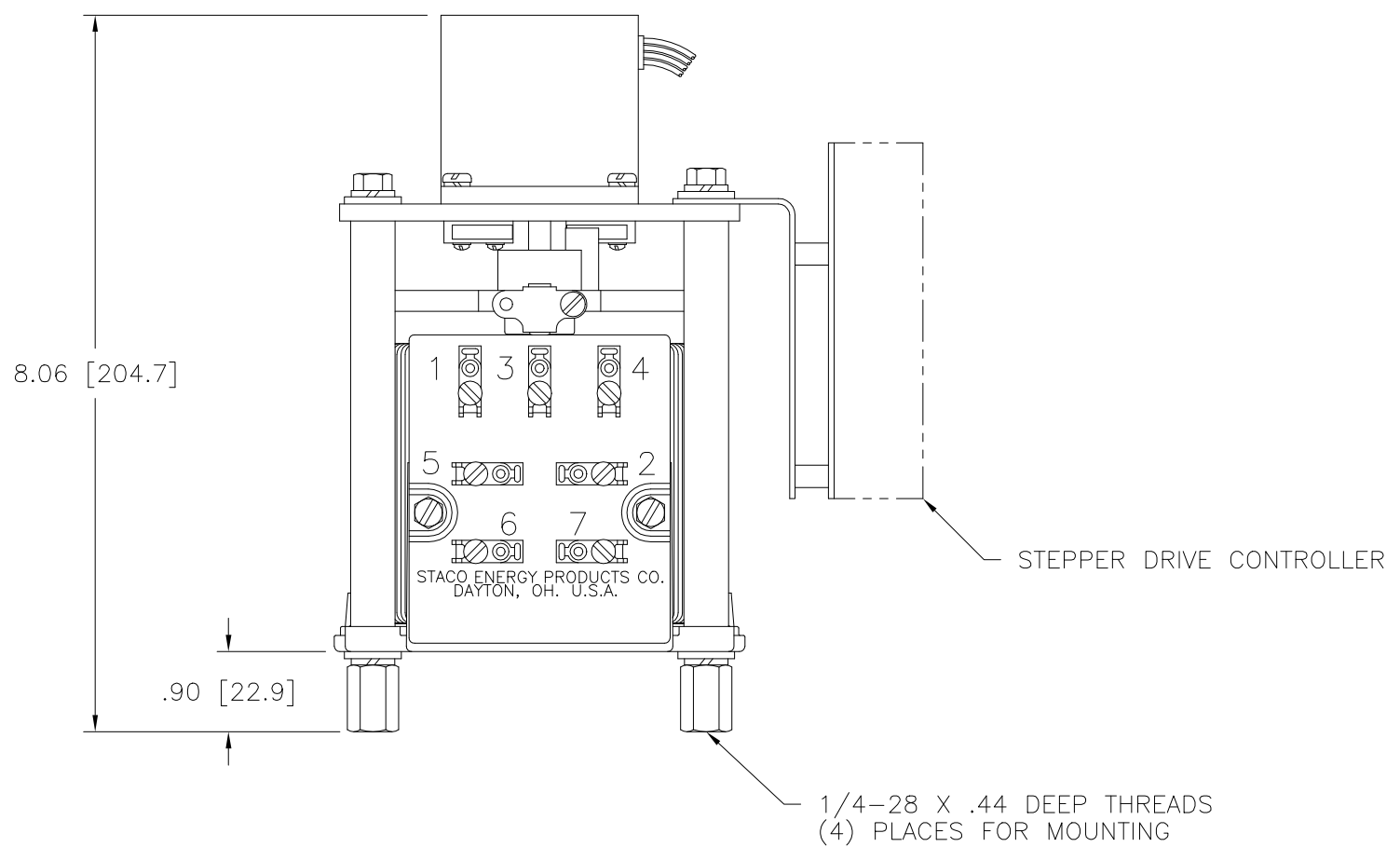
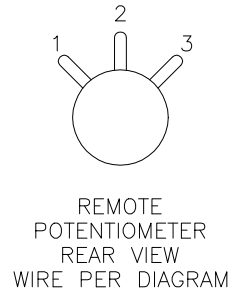
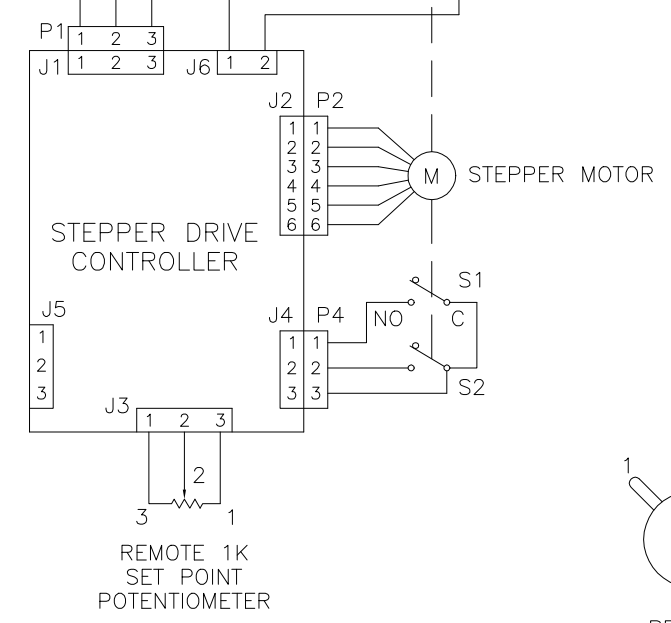
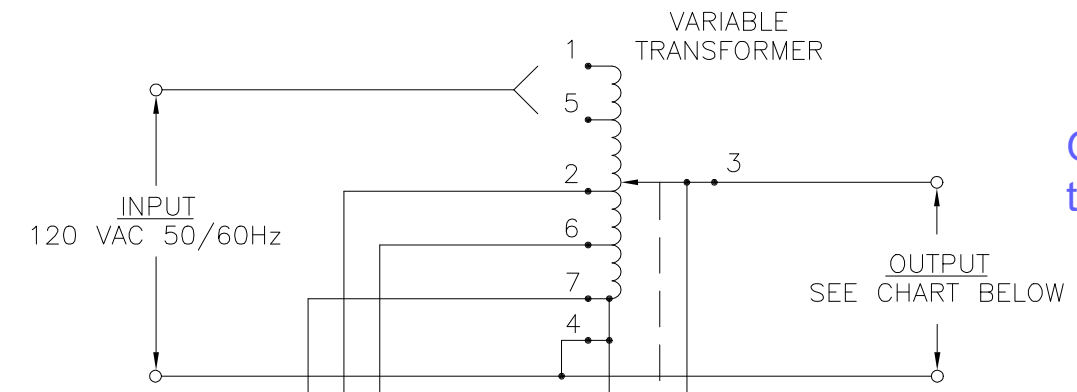
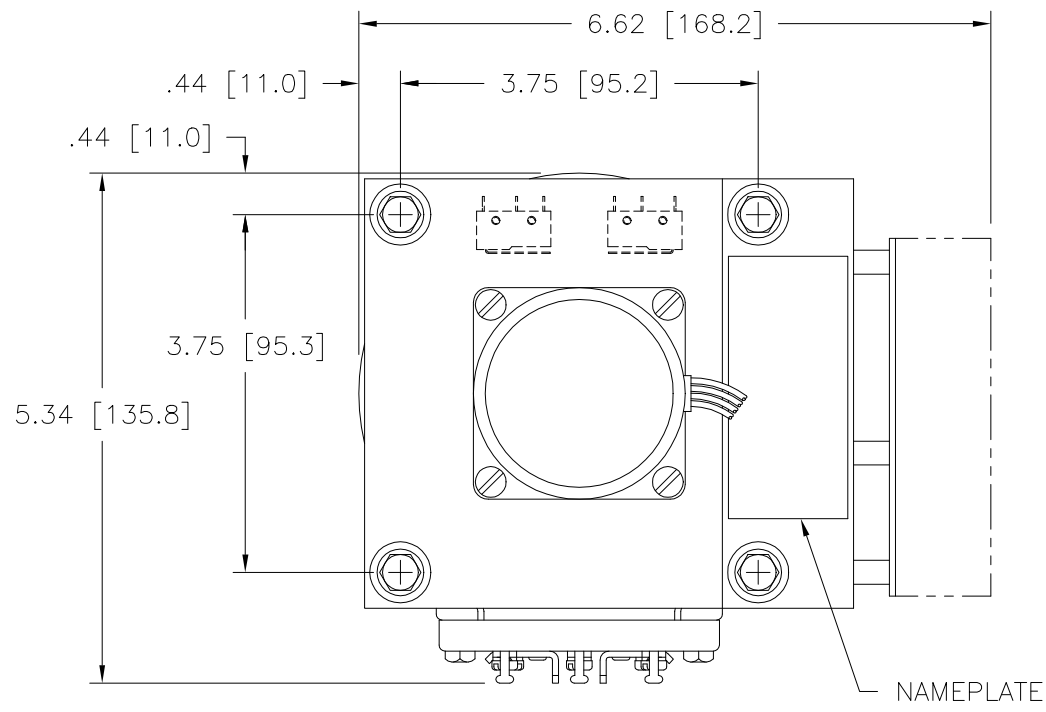


Go to VARIAC.com
to purchase and for
technical support.
Made in the USA



SET POINT ADJUSTMENT:
THE OUTPUT SET POINT MAY BE ADJUSTED WITH THE REMOTE 1K POTENTIOMETER PROVIDED OR WITH A 0-5 VDC SIGNAL TO THE J3 CONNECTOR ON THE STEPPER DRIVE CONTROL. MAKE CONNECTIONS TO J3-2(+) & J3-3(-). A NOMINAL +5 VDC SETPOINT SUPPLY IS AVAILABLE AT J3-1 (ADJUSTABLE AT TRIMPOT R22).

SPECIFICATIONS									
WIRING	INPUT		OUTPUT				TERMINAL CONNECTIONS		
	VOLTS	HERTZ	VOLTS	CONSTANT CURRENT LOAD		CONSTANT IMPEDANCE LOAD		INPUT	OUTPUT
				MAX. AMPS	MAX. KVA	MAX. AMPS	MAX. KVA		
SINGLE PHASE	120	50/60	0-120	10	1.2	13	1.56	1-4	4-3
			0-140	10	1.4	-	-	5-4	4-3

UNLESS OTHERWISE SPECIFIED, TOLERANCE IS #		UNITS		TITLE:	
DECIMALS	Holes	ANGLES	DRAFT	IN [mm]	
.XX	.0005-.0010	1°	1-1/2°	SPEC. CONTROL DRAWING	
.XXX	.005			STEPPER DRIVEN VARIABLE	
MATERIAL:		ALL DIMENSIONS APPLY AFTER PLATING		TRANSFORMER MODEL SD1010	
DRAWN BY		DATE	FIRST USED ON	DO NOT SCALE DWG.	CUSTOMER APPROVAL
S.A. SMITH		12/11/95			DATE
CHECKER		DATE	WEIGHT APPROX.	CODE IDENT. NO.	DWG. NO.
				83008	095-1803
ENGINEER		DATE	SCALE	SHEET 1 OF 1	DWG. NO.
			1=1		095-1803



1/4-28 X .44 DEEP THREADS
(4) PLACES FOR MOUNTING