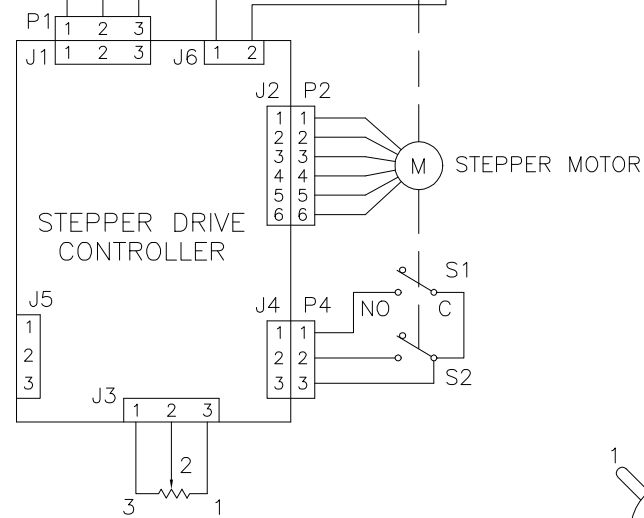
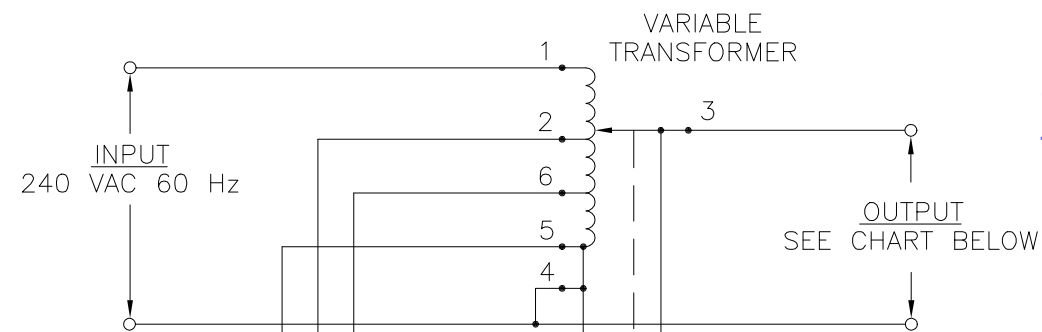
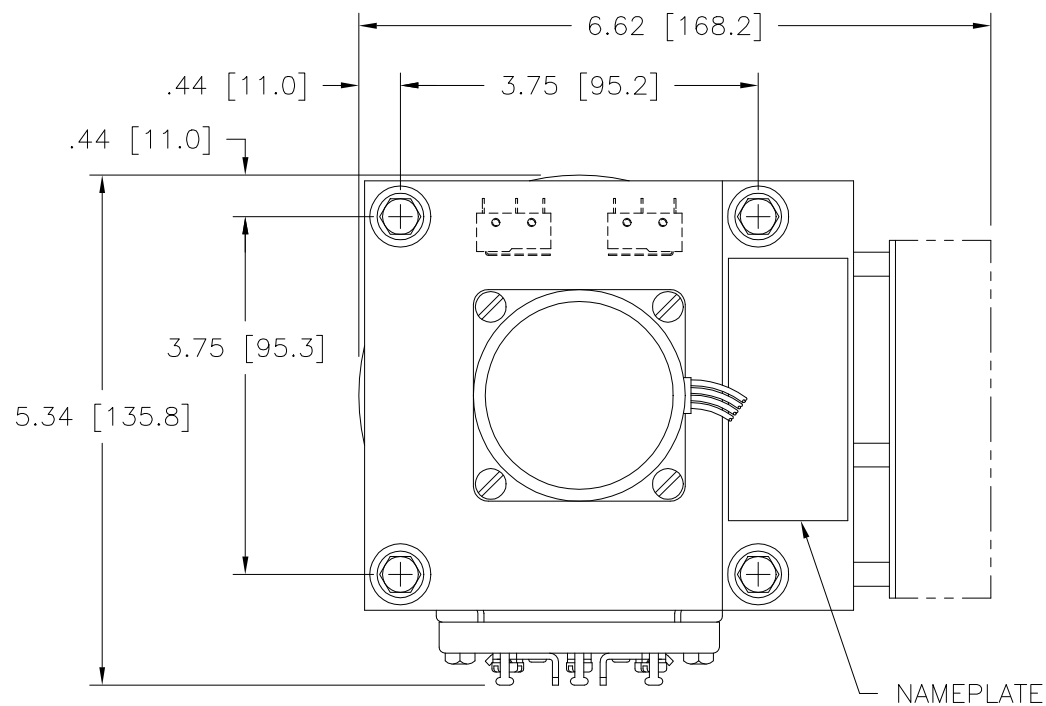
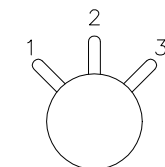


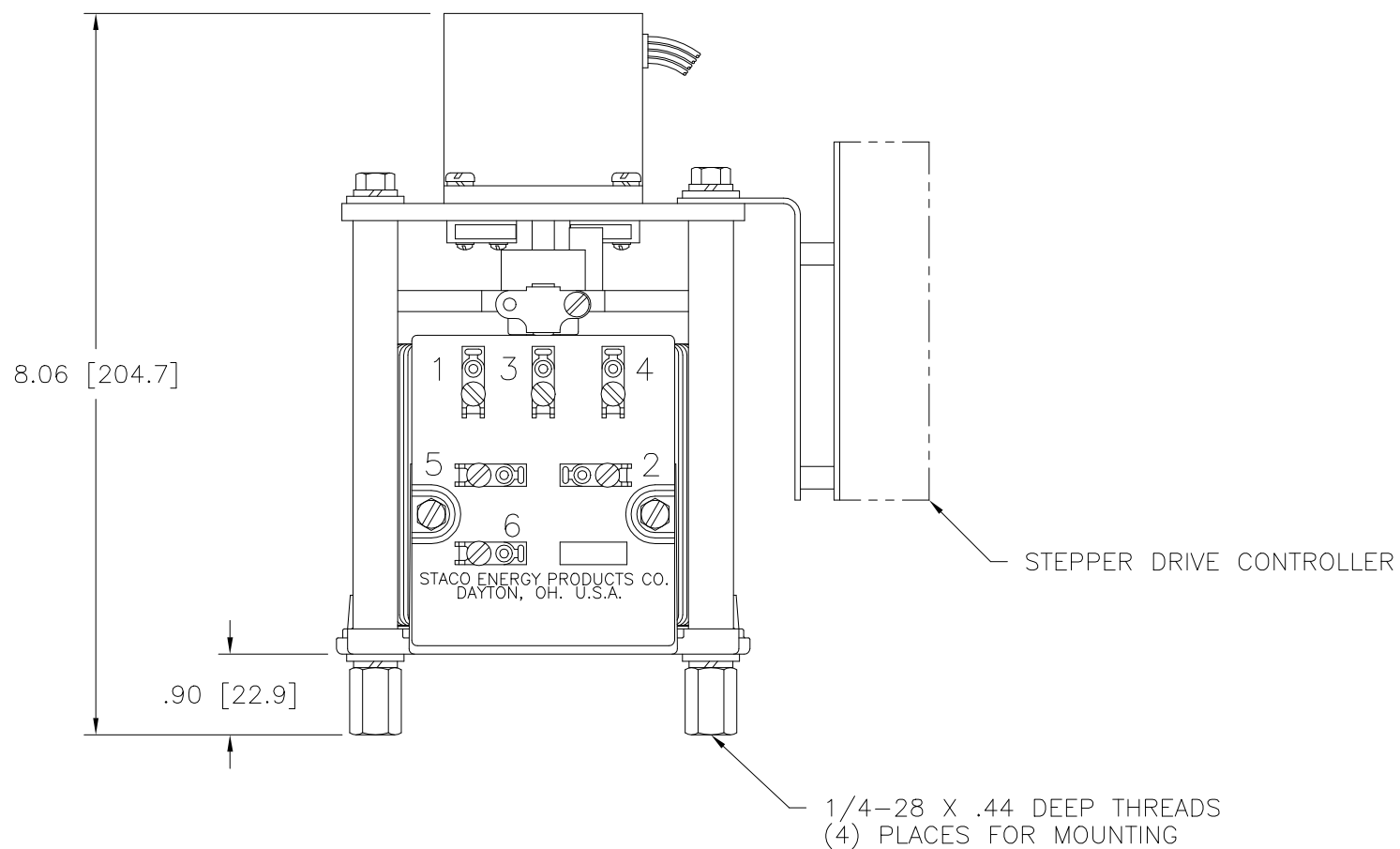
Go to [VARIAC.com](http://VARIAC.com)  
to purchase and for  
technical support.  
Made in the USA



REMOTE 1K SET POINT POTENTIOMETER



REMOTE POTENTIOMETER REAR VIEW WIRE PER DIAGRAM



SET POINT ADJUSTMENT:  
THE OUTPUT SET POINT MAY BE ADJUSTED WITH THE REMOTE 1K POTENTIOMETER PROVIDED OR WITH A 0-5 VDC SIGNAL TO THE J3 CONNECTOR ON THE STEPPER DRIVE CONTROL. MAKE CONNECTIONS TO J3-2(+) & J3-3(-). A NOMINAL +5 VDC SETPOINT SUPPLY IS AVAILABLE AT J3-1 (ADJUSTABLE AT TRIMPOT R22).

SPECIFICATIONS									
WIRING	INPUT		OUTPUT				TERMINAL CONNECTIONS		
	VOLTS	HERTZ	VOLTS	CONSTANT CURRENT LOAD		CONSTANT IMPEDANCE LOAD		INPUT	OUTPUT
SINGLE PHASE	240	60	0-240	MAX. AMPS	MAX. KVA	MAX. AMPS	MAX. KVA	1-4	4-3
				5.0	1.20	7.0	1.68		

UNLESS OTHERWISE SPECIFIED, TOLERANCE IS #				UNITS		TITLE: SPEC. CONTROL DRAWING					
DECIMALS	HOLES	ANGLES	DRAFT	IN [mm]		STEPPER DRIVEN VARIABLE TRANSFORMER MODEL SD1220					
.XX	.0005-.0010	.002	1°	1-1/2"		MATERIAL:					
DRAWN BY S.A. SMITH				DATE 12/19/95		FIRST USED ON		DO NOT SCALE DWG.		CUSTOMER APPROVAL	
CHECKER				DATE		WEIGHT APPROX.		CODE IDENT. NO. 83008		DWG. NO. 095-1807	
ENGINEER				DATE		SCALE 1=1		SHEET 1 OF 1		D	

The information and design disclosed herein was originated by and is the property of STACO ENERGY PRODUCTS CO., which reserves all patent, proprietary, design, manufacturing, reproduction, use and sale rights thereto, and to any article disclosed therein except to the extent rights are expressly granted to others. The foregoing does not apply to vendor proprietary parts.