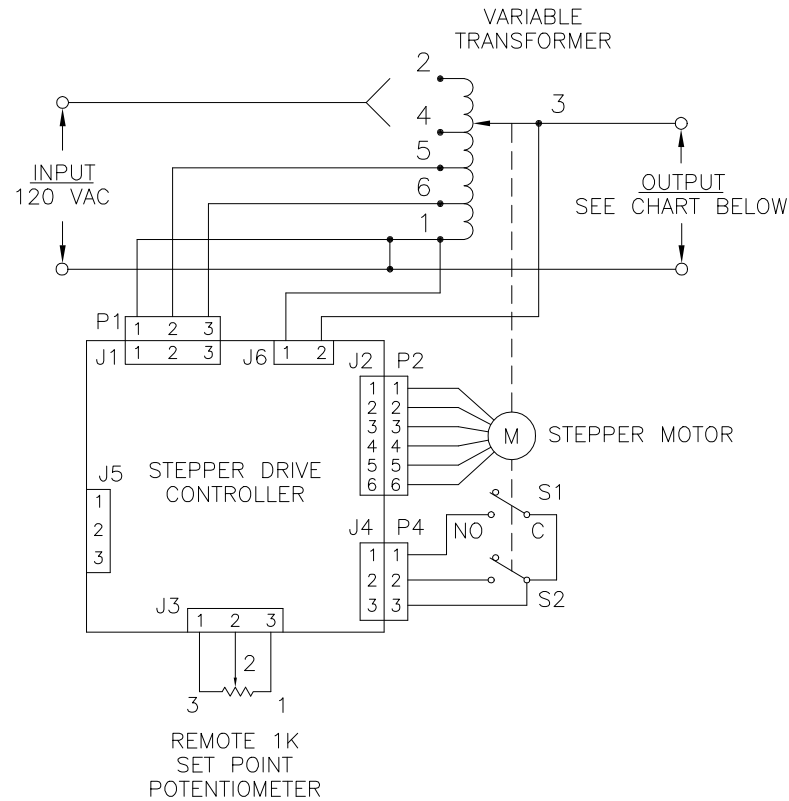
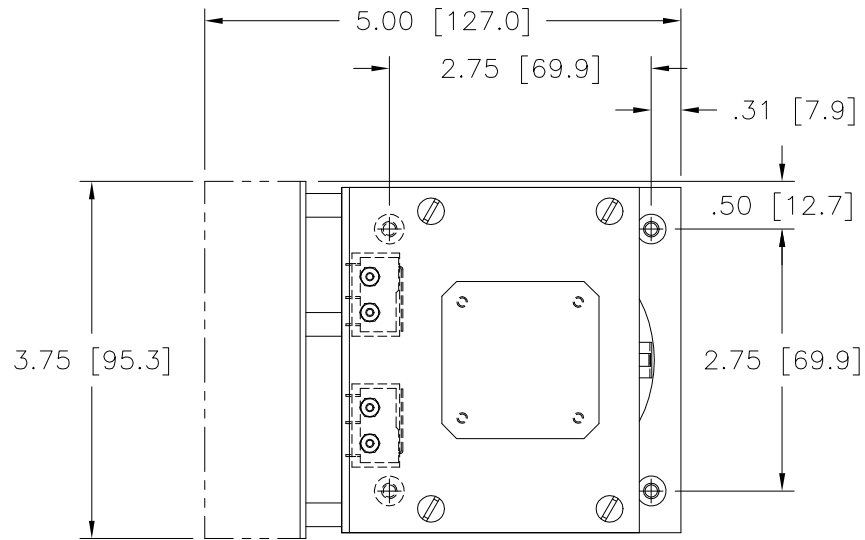
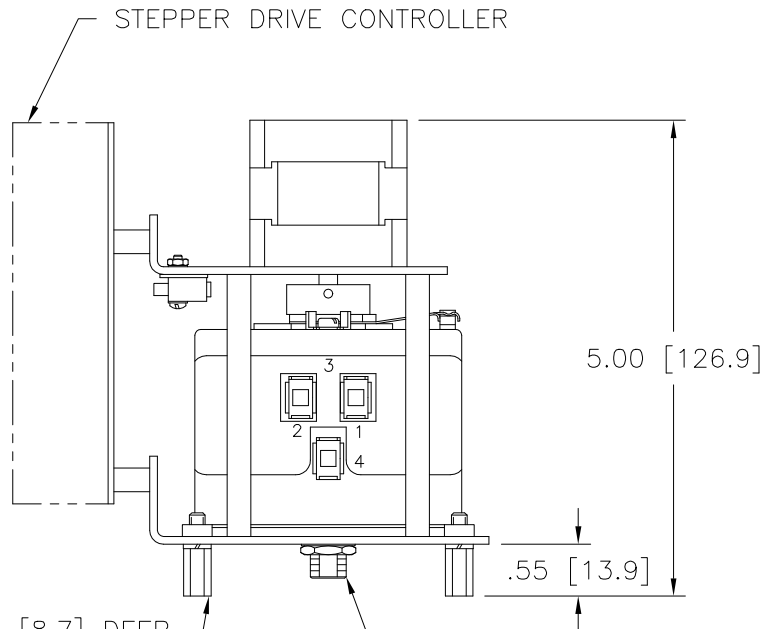


DWG. NO.	095-1942		
REVISIONS			
SYM.	E.C.N.	DATE	APVD.
A	24028	8/18/99	
CLARIFIED 5VDC NOTE			

Go to VARIAC.com to purchase and for technical support. Made in the USA



SET POINT ADJUSTMENT:
 THE OUTPUT SET POINT MAY BE ADJUSTED WITH THE REMOTE 1K POTENTIOMETER PROVIDED OR WITH A 0-5 VDC SIGNAL TO THE J3 CONNECTOR ON THE STEPPER DRIVE CONTROL. MAKE CONNECTIONS TO J3-2(+) & J3-3(-). A NOMINAL +5 VDC SETPOINT SUPPLY IS AVAILABLE AT J3-1 (ADJUSTABLE AT TRIMPOT R22).



#8-32 X .34 [8.7] DEEP THREADS (4) PLACES FOR MOUNTING ON REMOVABLE FEET OR #8-32 THREADS ON PLATE

3/8-32 NEF-2A THREAD

SPECIFICATIONS										
WIRING	INPUT		OUTPUT				TERMINAL CONNECTIONS			
	VOLTS	HERTZ	VOLTS	CONSTANT CURRENT LOAD		CONSTANT IMPEDANCE LOAD		INPUT	OUTPUT	
				MAX. AMPS	MAX. KVA	MAX. AMPS	MAX. KVA			
SINGLE PHASE	120	50/60	0-120	3.0	0.36	3.5	0.42	1-2	1-3	
		60	0-132	3.0	0.40	-	-	1-4	1-3	
UNLESS OTHERWISE SPECIFIED, TOLERANCE IS ±			UNITS		TITLE:					
DECIMALS: .03 .002 ANGLES: 1° DRAFT: 1-1/2°			IN [mm]		SPEC. CONTROL DRAWING STEPPER DRIVEN VARIABLE TRANSFORMER MODEL SD291					
MATERIAL:			ALL DIMENSIONS APPLY AFTER PLATING		DRAWN BY: S.A. SMITH DATE: 9/5/97		FIRST USED ON:		DO NOT SCALE DWG.	
The information and design disclosed herein was originated by and is the property of STACO ENERGY PRODUCTS CO., which reserves all patent, proprietary, design, manufacturing, reproduction, use and sale rights thereto, and to any article disclosed therein except to the extent rights are expressly granted to others. The foregoing does not apply to vendor proprietary parts.			CHECKER:		DATE:		WEIGHT APPROX.		CODE IDENT. NO. 83008	
			ENGINEER:		DATE:		SCALE 1=1		SHEET 1 OF 1	
									CUSTOMER APPROVAL: DATE:	
									DWG. NO. 095-1942	